



PW019 Tensile tester

Shanghai Pengwang Machinery Co., Ltd.

Address: Building 8, No.1098, Chuansha road, Pudong New Area, Shanghai
Sales phone: +86 15801732387

PW019 Tensile tester



Please read operating instruction carefully before use and keep for further reference.

Application

PW019 tensile tester is a new type of tensile testing equipment developed by our factory, Simple operation, lightweight and portable. **It is for peeling, shearing and tensile tests of geomembrane, geotextiles and films.** It can be used in any field test, but also in the factory.

Caution

1. It is forbidden to disassemble the rally machine without permission. If necessary, please confirm that the machine has been turned off and unplugged before the ripcord is disassembled, so as to avoid being charged by the naked power lines or components inside.
2. The voltage rating stated on the tool must correspond with the line/mains voltage (AC220V) .
3. In order to ensure the safety of users and reliable operation of equipment, power



PW019 Tensile tester

supply and leakage protector must be installed on the construction site.

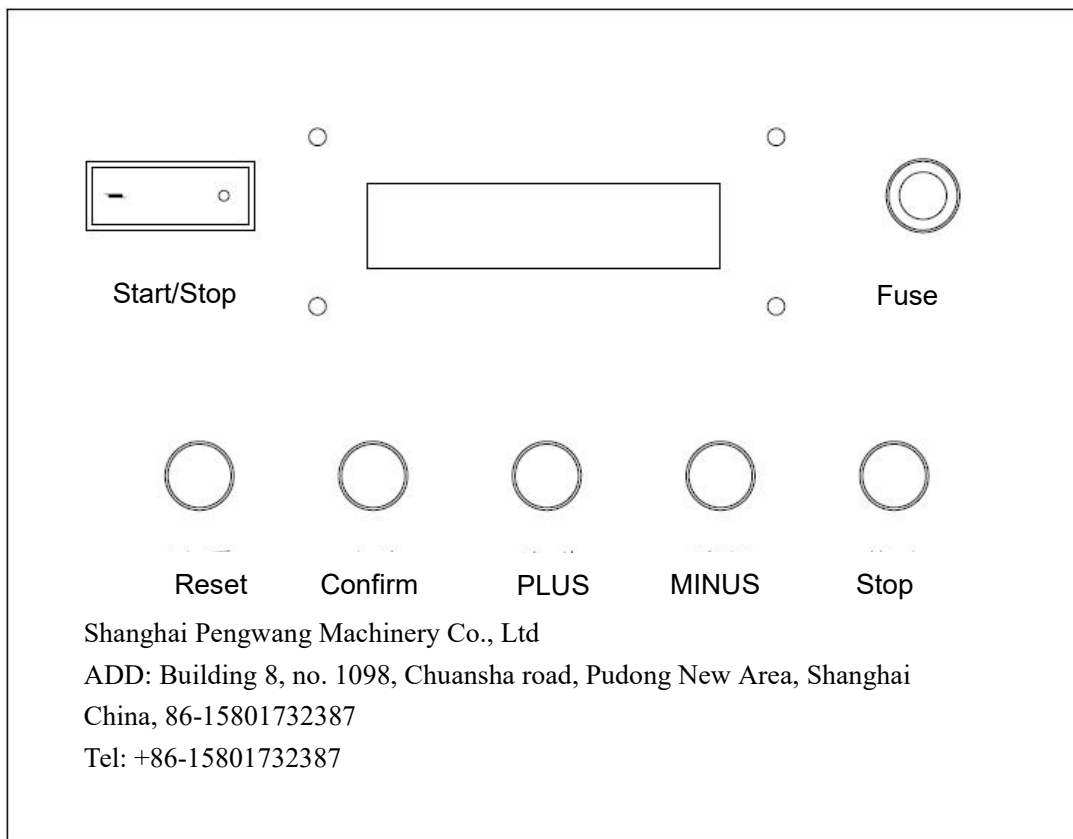
4. Ensure that the protective earth connection is good.
5. Protect the tool from damp and wet.
6. Do not touch drive shaft and sliding carriage during operation.
7. Do not operate the sliding carriage when a welding sample is fastened in.
8. Please take it lightly, any collision may result in inaccurate measurements or damage.
9. The machine may only be used by qualified specialists or under their supervision.
Children are not authorized to use this machine.

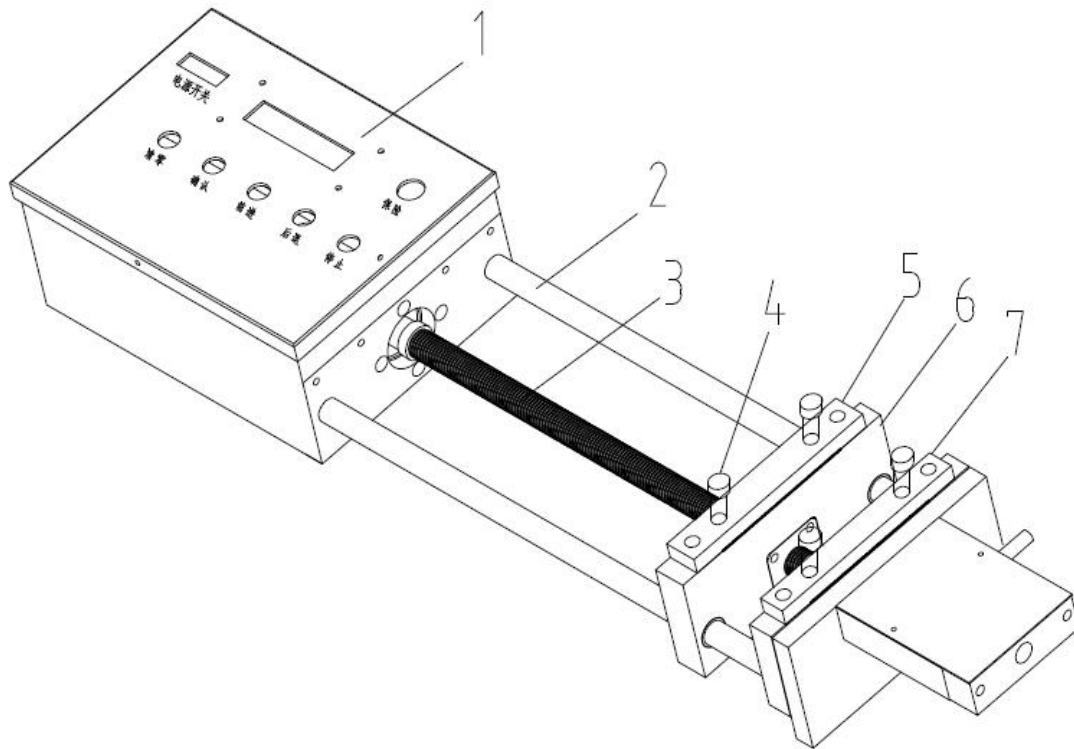
Technical Data

Voltage	230V
Frequency	50Hz
Jaw spacing	5–300mm
Tensile load	max 2000N
Range	max 100mm
Size (L × W × H)	700 × 220 × 120 mm
Net weight	12kg

Description of tool

Keyboard



Drawing

7 fixed plate

Screen Data

MAX: 180.53 KG
TCV: 150.53 KG

1. MAX means the maximum data of this test; Can be retained.
2. TCV means the current data for this test.
3. Data unit is kilogram (Can also choose to display as N, factory setting)

Tensile test operation

1. Before starting the test, please prepare the test samples according to relevant standards and regulations.
2. Put the device on a flat place or on the tabletop and open storage case.
3. Take out the power cord, check and confirm that there is no foreign body blocking the movable plate (6).



PW019 Tensile tester

4. Connect enclosed power cable to socket; connect the machine to the line/mains.
5. According to the size of the test samples, please confirm that the movable plate (6) is in the correct position. If the movable plate (6) is not in the correct position, press the PLUS / MINUS operation button to adjust to the correct position and then press the stop button. This machine's jaw spacing is 5-300 mm.
6. Use a wrench to loosen the 4 test sample compression screws (4), place the test samples in place and lock the 4 test sample compression screws (4). When locking the 4 test sample compression screws (4), note that lock the left and right two screws at the same time, do not lock one side of the screw and then lock the other side of the screw. Please lock both sides of the screws slowly and keep the test sample platen (5) balanced basically.
7. After fixing the test sample, please re-check the drive shaft (3), fixed slide bar (2), movable plate (6) without any foreign objects impede the operation; press the reset button, press the confirm button to the residual number Zero, press the PLUS button, the device starts running, you can see up and down rows of data in the screen window constantly changing, according to the corresponding standard comparison of the above row of screen data, when the corresponding standard data, press the stop button to stop the test, then the top line of the screen shows the maximum value of this test. If the data in the first line is smaller than the corresponding standard data, the test can be continued until the data in the first line reaches the corresponding standard or no longer changes. The data in the second line is smaller than the data in the first line, then press the stop button to stop the test, the first line of the screen data is the maximum data of the test sample, please confirm the test sample is qualified according to the corresponding standard.
8. After the test is finished, please loosen 4 test sample compression screws (4) and remove the test sample; if no longer tested, press the MINUS button to move the movable plate (6) home.
9. After testing, turn off the power switch; unplug the power plug, if you can please apply some oil on drive shaft (3) and fixed slide bar (2)

Shanghai Pengwang Machinery Co., Ltd.

Address: Building 8, No.1098, Chuansha road, Pudong New Area, Shanghai

Sales phone: +86 15801732387